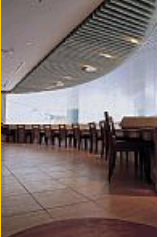




# PQRY-P450YSHM-A

WR2 Series 18hp Water Cooled Condensing Unit

R410A Heat Recovery



## Simultaneous Heating and Cooling with Double Heat Recovery

The WR2 Series has double heat recovery potential, making this system very economical. Not only does it produce heat recovery from the indoor units on the same 2-pipe refrigerant circuit, it also produces heat recovery via the water circuit between heat source units. This series has all the benefits of the R2 Series with water cooled condensing units, using a single inverter compressor.

- **40% reduction in height compared to previous YGM-A model**
- **High COP's possible thanks to increased efficiency and careful control of the system, allowing the largest operational water circuit temperature band ever**
- **Total building heat recovery made possible by exchanging energy in both refrigerant and water circuits**
- **Combining WR2 with waste heat energy provides unique application solutions**
- **Condensing units must be situated indoors allowing greater design flexibility and no limitation on building size**
- **Improved pipe run of 165m with a total system pipe length of up to 750m**
- **High Sensible Cooling Function - By raising the off coil temperature, a 10% increase in sensible cooling capacity over standard operation is achievable, the result being greater comfort for occupants**
- **Now able to operate with closed loop ground source water temperatures, bore hole and slinky applications are now possible**



Pictures not to scale



## Product Details

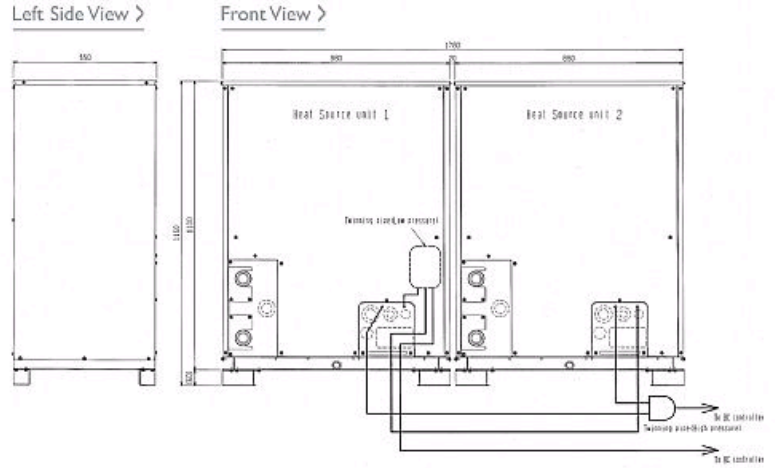
| PQRY-P450YSHM-A                     |                |
|-------------------------------------|----------------|
| Capacity (kW):                      |                |
| Heating (Nominal)                   | 56.0           |
| Cooling (Nominal)                   | 50.0           |
| Power Input (kW) Heating (Nominal)  | 10.42          |
| Power Input (kW) Cooling (Nominal)  | 9.94           |
| Max No. of Connectable Indoor Units | 45             |
| Noise (dBA)                         | 51             |
| Width - mm                          | 880 + 880      |
| Depth - mm                          | 550            |
| Height - mm                         | 1160           |
| Weight - kg                         | 186 + 186      |
| Electrical Supply                   | 380-415v, 50Hz |
| Phase                               | 3              |
| Mains Cable No. Cores               | 4 + earth      |
| Starting Current (A)                | 8              |
| Running Current (A) - Heating       | 16.1           |
| Running Current (A) - Cooling       | 15.3           |

### Piping Restrictions

|                                                                       |     |
|-----------------------------------------------------------------------|-----|
| Total Piping Length (m)                                               | 750 |
| Furthest Piping Length (m)                                            | 165 |
| Between Outdoor and BC Controller (Master) - Length (m)               | 110 |
| Length Between Indoor and BC Controller (Master / Slave) - Length (m) | 60  |
| Between Indoor and Outdoor Units - Height (m)                         | 50  |
| Between Indoor and Indoor Units - Height (m)                          | 15  |
| Between Indoor and BC Controller (Master/Slave) - Height (m)          | 15  |

## Dimensions

PQRY-P450YSHM-A



Telephone: 01707 282880

Email: [air.conditioning@meuk.mee.com](mailto:air.conditioning@meuk.mee.com) Website: <http://www.mitsubishielectric.co.uk/aircon>

Mitsubishi Electric reserves the right to make any variation in technical specification to the equipment described, or to withdraw or replace products without prior notification or public announcement.

Tel:  
Fax:

